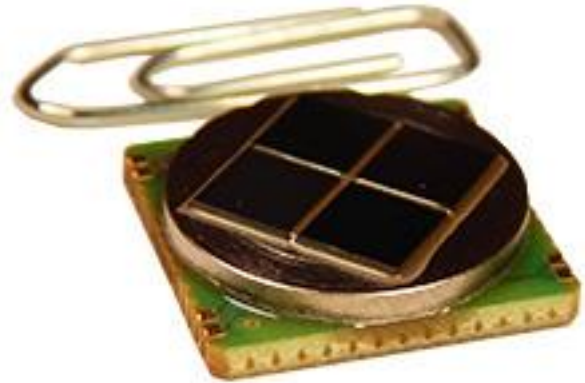


Thin Film Pyroelectric Quad Channel Flame Sensor

Introduction

The Pyreos thin film pyroelectric flame sensors offer exceptionally high responsivity, low microphonics and class leading thermal and electrical stability. This high performance sensor achieves a signal to noise of ~10,000 at the signature of 10 Hz flicker range of a flame. The large aperture window and sensor dimensions provide a large field of view of over 110°. The sensor element is built into a low noise circuit that has an internal CMOS Op-amp, with a 10 GΩ feedback resistor outputting an industry standard voltage mode signal.



Sensor Characteristics

| | |
|-------------------------------------|--------------------------------|
| Filter aperture | 4.9 mm x 4.9 mm |
| Element size | 1000 μm x 1000 μm |
| FoV | >110° |
| Op amp with 10 GΩ feedback resistor | |
| Responsivity ¹ | 150,000 V/W |
| D* ¹ | 3.5 x 10 ⁸ cm√Hz/ W |
| Noise (mean) ¹ | 70 uV√ Hz |
| Time Constant | ~12 ms (thermal) |

¹ 10 Hz, 500 K, room temperature, without window and optics

Electrical Characteristics

| | |
|---|---|
| Max. Voltage | 8.0 V |
| Min. Voltage | 2.7 V |
| Output Voltage Normalised around mid-rail | |
| Microphonics | S _{vib} ~2 μV/ g at 10 Hz |
| Package | Surface mount LCC52 compatible |
| Operating Temperature | -40 to +85 °C |
| Storage Temperature | -40 to +110 °C |
| Filter Options | Combinations from Filters Available table |

Filters Available

| Filter Type | 3.375 μm (190nm) | 3.91 μm (90 nm) | 4.35 μm (600 nm) | 4.48 μm (620 nm) | 4.64 μm (180 nm) | 5.0 μm Long Pass | 5.5 μm Long Pass |
|-------------|------------------|-----------------|------------------|------------------|------------------|------------------|------------------|
| From (μm) | 3.28 | 3.86 | 4.05 | 4.17 | 4.55 | 5.0 | 5.5 |
| To (μm) | 3.48 | 3.96 | 4.65 | 4.79 | 4.73 | >15.0 | >15.0 |

Order Information

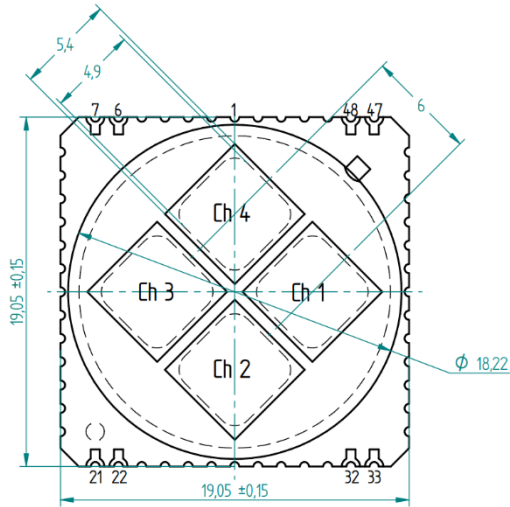
Please quote PY-ITV-QUAD-SM01 and your desired filter combination as per filter table.

Contact: sales@pyreos.com

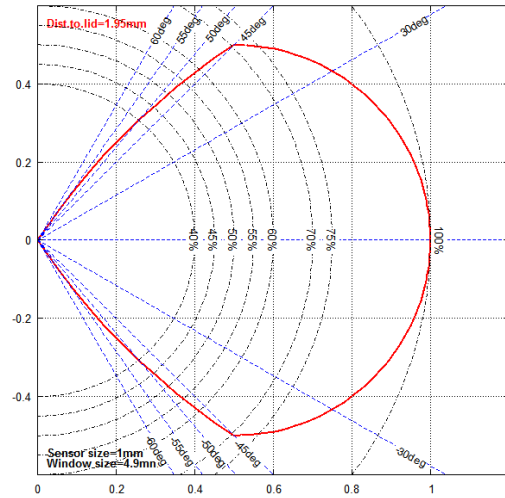
Please note: the information contained in this document is subject to change without further notification. Pyreos reserves the right to alter the performance and any resulting specification. Pyreos may choose not to supply any engineering sample devices as a commercial product. No responsibility is accepted for any consequential loss incurred. Pyreos Ltd, SMC, West Mains Road, Edinburgh EH9 3JF, UK. Tel: +441316507009, www.pyreos.com

Package Information

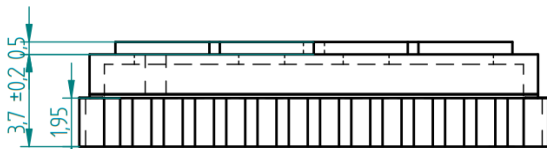
Top View



Field of View



Side View



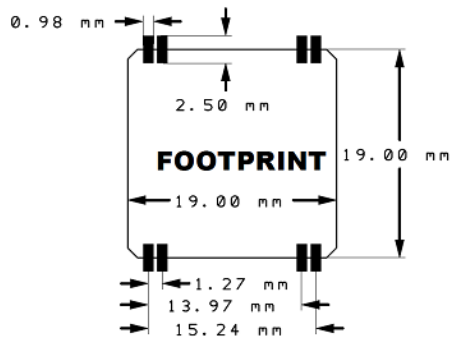
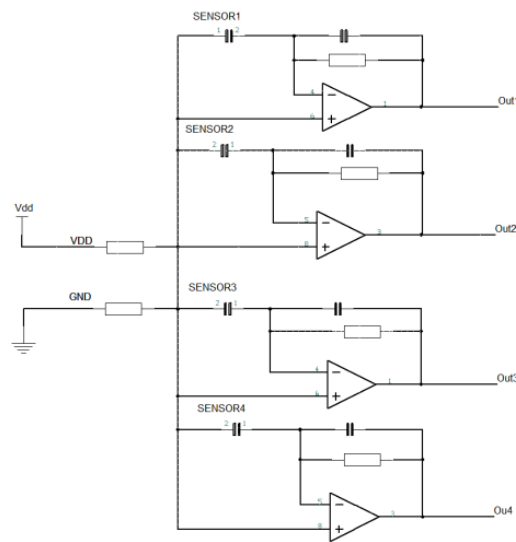
Filter thickness nominal; common values 0.2 to 1 mm

Pin Out

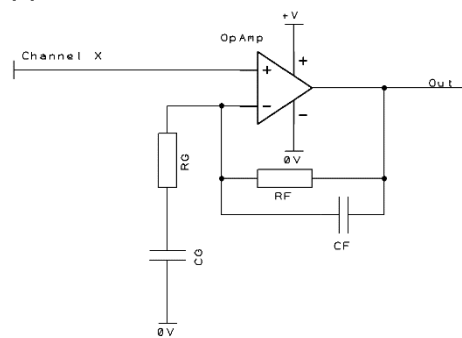
| # | Description | # | Description |
|----|-------------|----|--------------|
| 6 | Channel 4 | 32 | Channel 2 |
| 7 | Channel 3 | 33 | Channel 1 |
| 21 | Power+ | 47 | Power- (GND) |
| 22 | N/C | 48 | Power- (GND) |

Other pins not connected

Internal Circuit



Example Application Circuit



Please note: the information contained in this document is subject to change without further notification. Pyreos reserves the right to alter the performance and any resulting specification. Pyreos may choose not to supply any engineering sample devices as a commercial product. No responsibility is accepted for any consequential loss incurred. Pyreos Ltd, SMC, West Mains Road, Edinburgh EH9 3JF, UK. Tel: +441316507009, www.pyreos.com