

Thin Film Pyroelectric Single Channel Sensor

Introduction

Pyreos thin film pyroelectric infrared (IR) sensors for gas detection and substance concentration measurements offer exceptionally high responsivity, low microphonics and class leading thermal and electrical stability. This high performance current mode sensor achieves a signal to noise of ~10,000 and offers a fast, stable response over a wide operating frequency range. The sensor element is built into a low noise circuit that has an internal CMOS operational amplifier, with a 10 GΩ feedback resistor outputting a voltage signal centred around half the supply rail.



Sensor Characteristics

Filter aperture	2.5 mm ø
Element size	1000 μm x 1000 μm
Package	TO39
Responsivity ¹	150,000 V/W
D* ¹	3.5 x 10 ⁸ cm√Hz/ W
Noise ¹	70 μV√Hz
Op amp with 10 GΩ feedback resistor	

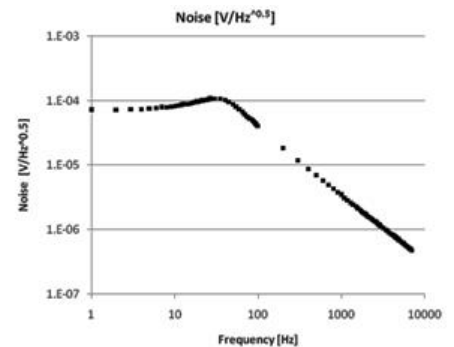
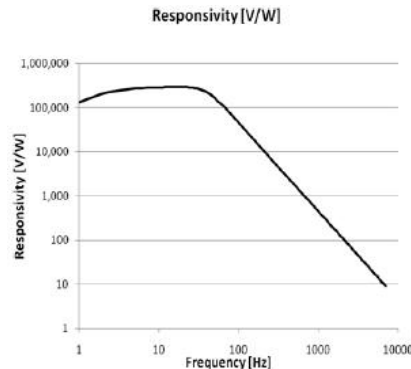
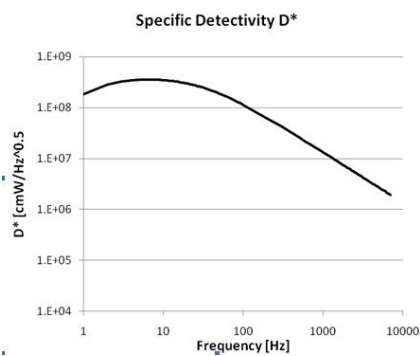
Electrical Characteristics

Max. Voltage (+V) ²	8.0 V
Output voltage normalised around mid-rail	
Min. Voltage (+V)	2.7 V
Microphonics	S _{vib} ~2 μV/ g at 10 Hz
Time Constant	~12 ms
Operating Temperature	-40 to +85 °C
Storage Temperature	-40 to +110 °C
Filter	See "Filters Available"

¹ 10 Hz, 500 K, room temperature, without window and optics

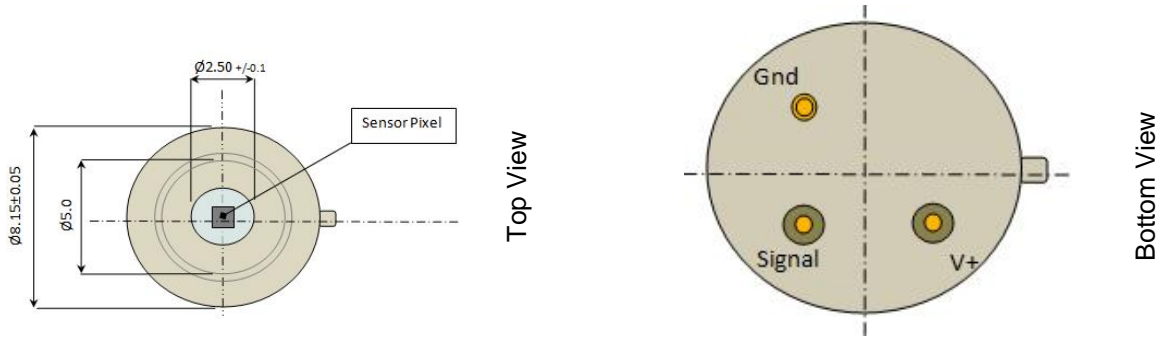
² Absolute maximum operating voltage

Frequency Characteristics

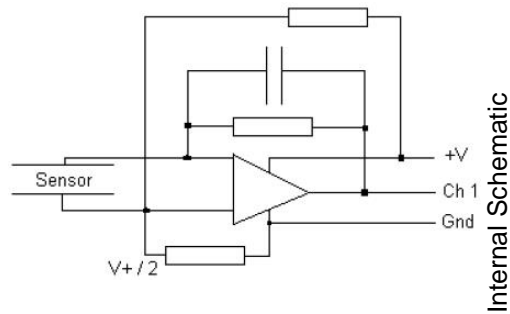
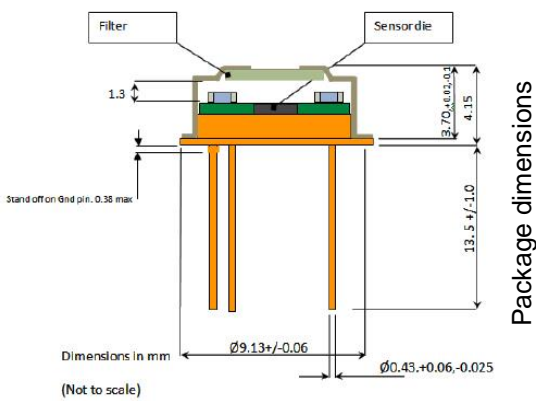


Please note: the information contained in this document is subject to change without further notification. Pyreos reserves the right to alter the performance and any resulting specification. Pyreos may choose not to supply any engineering sample devices as a commercial product. No responsibility is accepted for any consequential loss incurred. LME- LIE-200 LIE-202 LIE-216 Pyreos Ltd, 14-16 The Curve, 32 Research Avenue North, Heriot Watt Research Park, Edinburgh EH14 4AP, UK. Tel: +44 131 322 0732, www.pyreos.com Copyright Pyreos 2019

Package Information

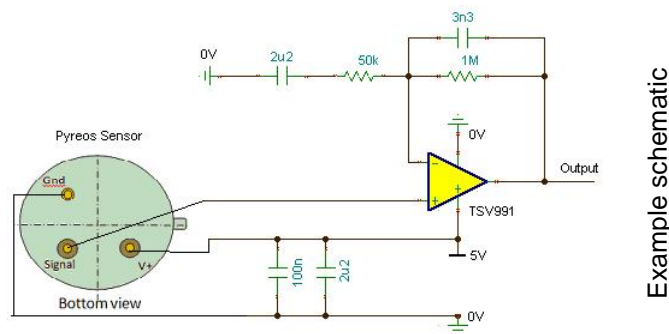


Filter window size



Note: Ensure that the sensor base is not in contact with the PCB in order to avoid shorts.

Recommended Circuit Diagram



Example schematic

Please note: the information contained in this document is subject to change without further notification. Pyreos reserves the right to alter the performance and any resulting specification. Pyreos may choose not to supply any engineering sample devices as a commercial product. No responsibility is accepted for any consequential loss incurred. LME- LIE-200 LIE-202 LIE-216 Pyreos Ltd, 14-16 The Curve, 32 Research Avenue North, Heriot Watt Research Park, Edinburgh EH14 4AP, UK. Tel: +44 131 322 0732, www.pyreos.com Copyright Pyreos 2019

Filters Available

Pyreos has a range of standard filters available.

Part number	Channel 1 CWL μm / (HPB nm)	Use
PY0213	3.30 / (160)	CH ₄
PY0293	3.375 / (190)	H-C
PY0275	3.91 / (90)	Reference
PY0175	4.26 / (180)	CO ₂
PY1944	4.30 / (110)	CO ₂ (Narrow)
PY0210	4.43 / (60)	CO ₂ (Special)
PY0211	4.64 / (180)	CO
PY0212	4.64 / (90)	CO (Narrow)
PY0253	5.30 / (180)	NO
PY0254	7.30 / (200)	SO ₂
PY1456	10.35 / (190)	Refrigerant R12 (Freon)
PY2214	5.0 Long Pass	Broadband for bespoke filters

Note: An additional window may be required to provide high wavelength blocking.

Order Information

Please quote PY-ITV-SINGLE-TO39(2+1) and your desired filter combination or quote specific part number PY0XXX as per filter table. Contact: sales@pyreos.com

Search terms: current mode, voltage mode, infrared detector, infrared sensor, MIR, mid-IR, thermopile, photodiode