

## Two channel TO-39 infrared sensors with high sensitivity in hydrocarbon gas detection applications

### Introduction

**New** in Pyreos dual TO-39 analog infrared sensor product line – optimised spectral absorption for Methane and other hydrocarbon gases leading to improved signal-to-noise ratio.

Pyreos thin film pyroelectric IR sensors for gas detection and other substance concentration measurements offer exceptionally high responsivity, low microphonics and class leading thermal and electrical stability. This high performance current mode sensor achieves SNR of ~10,000 and offers a fast, stable response over a wide operating frequency range. The sensor elements are built into a low noise circuit that has an internal CMOS op amp, with a 10 GΩ feedback resistor. The voltage signal output is centred around half the supply rail, allowing single power supply operation.



| Sensor Characteristics      |                                   | Electrical Characteristics                |                         |
|-----------------------------|-----------------------------------|---|-------------------------|
| Aperture                    | 2x 2.6 mm x 2.6 mm                | Max. Voltage (+V) <sup>3</sup>            | 8.0 V                   |
| Element size                | 1000 μm x 1000 μm                 | Min. Voltage                              | 2.7 V                   |
| Package                     | TO39                              | Output voltage normalised around mid-rail |                         |
| Responsivity <sup>1,2</sup> | up to 250,000 V/W                 | Supply Current                            | 90 μA typ @ 5 V         |
| D* <sup>1</sup>             | 3.5 x 10 <sup>8</sup> cm√Hz/ W    | Operating Temperature                     | -40 to +85 °C           |
| Noise <sup>1</sup>          | 130 μV/√Hz                        | Storage Temperature                       | -40 to +110 °C          |
| Microphonics                | S <sub>vib</sub> ~2 μV/ g at 10Hz | Filters                                   | See "Filters Available" |
| Time Constant               | ~12 ms                            |   |                         |

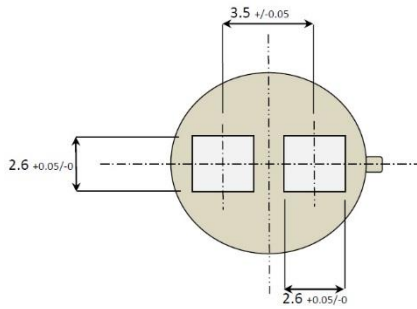
<sup>1</sup> 10 Hz, 500 K, room temperature, without window and optics

<sup>2</sup> Refer to product list at the end of this datasheet for product wavelength specific characteristics

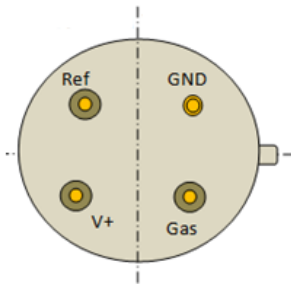
<sup>3</sup> Absolute maximum operating voltage

**Package Information**

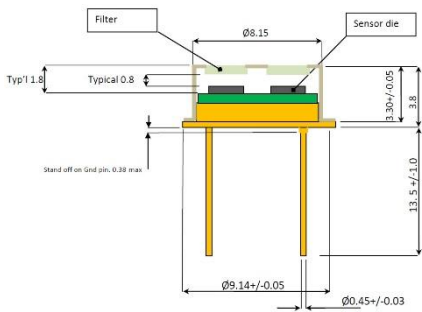
Filter window size



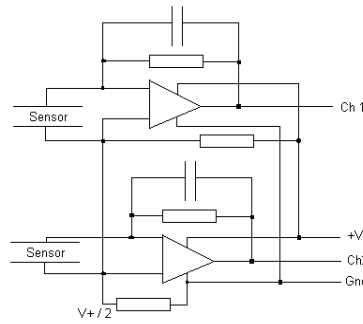
Top View



Bottom View



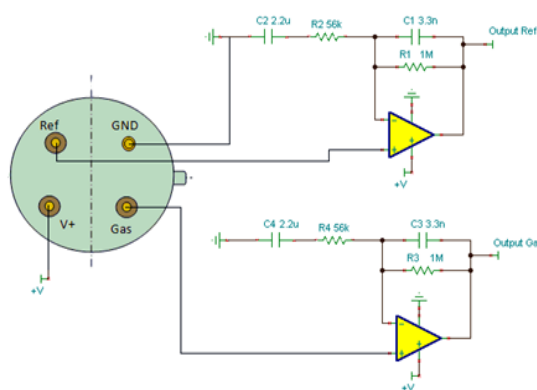
Package dimensions



Internal Schematic

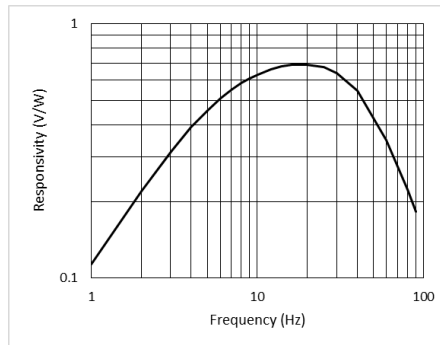
Note: Ensure that the sensor base is not in contact with the PCB in order to avoid shorts.

**Recommended Circuit Diagram**



Please note: the information contained in this document is subject to change without further notification. Pyreos reserves the right to alter the performance and any resulting specification. Pyreos may choose not to supply any engineering sample devices as a commercial product. No responsibility is accepted for any consequential loss incurred. LIM-252 LIM-262 LIM-272 Pyreos Ltd, 14-16 The Curve, 32 Research Avenue North, Heriot Watt Research Park, Edinburgh EH14 4AP, UK. Tel: +44 131 322 0732, [www.pyreos.com](http://www.pyreos.com); Copyright Pyreos Ltd 2019

**Frequency Characteristics**



**Order Information**

Please quote PY-DUAL-TO39(3+1) and your desired filter combination or quote specific part number ESXXXX or PYXXX as per filter table. Contact: [sales@pyreos.com](mailto:sales@pyreos.com)

Search terms: current mode, voltage mode, infrared detector, infrared sensor, MIR, mid-IR, thermopile, photodiode

**Filters Available**

Pyreos has a range of standard filters available.

| Part number<br>(replaces)            | Channel 1, Channel 2 (tab)<br>CWL $\mu\text{m}$ / (HPB nm) | Use             | Channel 1, Channel 2<br>In-Band Responsivity <sup>1</sup> | Broadband<br>Responsivity<br>(no filter) |
|--------------------------------------|--|-----------------|---|--|
| <b>PY2626</b><br>ES2626<br>(PY0317)  | 3.91 / (90), 3.30 / (160)                                  | CH <sub>4</sub> | 355 000 V/W, 267 000 V/W                                  | 167 000 V/W                              |
| <b>PY2738</b><br>ES2738<br>(PY02486) | 3.91 / (90), 3.33 / (160)                                  | H-C             | 355 000 V/W, tbc  | 167 000 V/W                              |
| <b>PY2739</b><br>ES2739<br>(PY0261)  | 3.91 / (90), 3.375 / (190)                                 | H-C             | 355 000 V/W, tbc  | 167 000 V/W                              |

<sup>1</sup> For the purpose of calculating the in-band responsivity, the incident radiation power is calculated as a proportion of the 500 K blackbody radiation available within the nominal filter wavelength range - e.g. for a 3.30/160 filter this would be from 3.28 to 3.38  $\mu\text{m}$

Note: In some implementations it may be necessary to add an optical high wavelength blocking filter externally to the sensor package.

Please note: the information contained in this document is subject to change without further notification. Pyreos reserves the right to alter the performance and any resulting specification. Pyreos may choose not to supply any engineering sample devices as a commercial product. No responsibility is accepted for any consequential loss incurred. LIM-252 LIM-262 LIM-272 Pyreos Ltd, 14-16 The Curve, 32 Research Avenue North, Heriot Watt Research Park, Edinburgh EH14 4AP, UK. Tel: +44 131 322 0732, [www.pyreos.com](http://www.pyreos.com); Copyright Pyreos Ltd 2019